

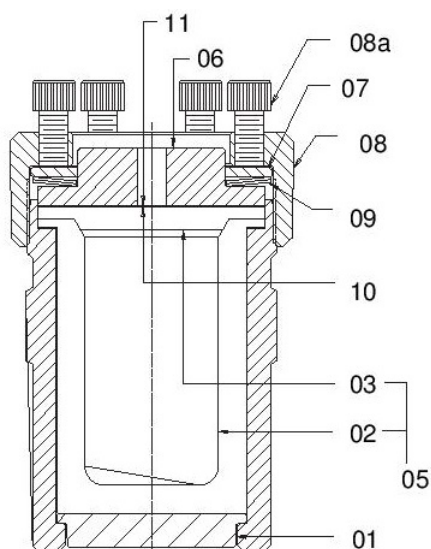


## MATERIAL SPECIFICATION CERTIFICATE

Part Number : 75651

MSC No. : SAMPLE

Part Name : ACID DIGESTION VESSEL



Parts List	
Part No.	Description
01	Bottom plate
02	Bomb body
05	PTFE cup with cover
06	Pressure plate
07	Compression ring
08	Screw cap with cap screws
08a	Cap screw.
09	Bellville spring washer
10	Corrosion disc,
11	Rupture disc

Capacity : 50 ml

Liner : PPL

Diameter : 80 mm

Liner Dia : 31 mm

Height : 143 mm

Liner IH : 62 mm

Max PSI : 1200

Max Temp : 240°C

Material : SS 316

Screws : 06 nos



**JN SCIENCETECH**

Works : # 7-4-232, Geetha Nagar, Ferozguda,  
Balanagar, Hyderabad - 500 011.

✉ info@jnsciencetech.com | info@jnsciencetech.in

🌐 www.jnsciencetech.com | www.jnsciencetech.in

**ISO 9001:2015 CERTIFIED**